

# Digital Video Recorder

## XVR301-Q3 Series



### Features

- Support H.265/H.264 video formats
- Support audio over coaxial cable(only for TVI cameras)
- Support TVI, AHD, CVI, CVBS, IP cameras with adaptive access
- 4/8-channel BNC input
- Support 1-ch CVBS output, 1-ch VGA output, 1-ch HDMI output at up to 4K(3840 x 2160)
- HDMI and VGA simultaneous output
- Long transmission distance over coaxial cable
- Support mainstream cameras of ONVIF and RTSP protocols

### Specifications

Video/Audio Input	Description
IP Video Input	XVR301-04Q3:2-ch XVR301-08Q3:4-ch
Analog Video Input	XVR301-04Q3:4-ch,BNC XVR301-08Q3:8-ch,BNC
Max IP Video Input	XVR301-04Q3:6-ch XVR301-08Q3:12-ch
Supported Analog Camera Types	XVR301-04Q3:Support AHD input: 8MP@15fps 5MP@20fps 4MP@30fps

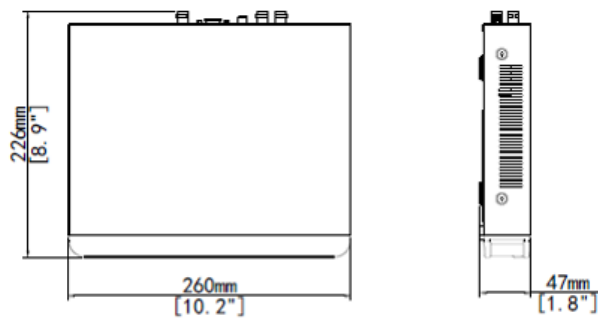
	<p>1080P@30fps 720P@30fps Support TVI input: 8MP@15fps 5MP@20fps 4MP@30fps 1080P@30fps 720P@30fps Support CVI input: 8MP@15fps 5MP@25fps 4MP@30fps 1080P@30fps 720P@30fps Support CVBS input</p> <p>XVR301-08Q3:Support AHD input: 8MP@15fps 5MP@20fps 4MP@30fps 1080P@30fps 720P@30fps Support TVI input: 8MP@15fps 5MP@20fps 4MP@30fps 1080P@30fps 720P@30fps Support CVI input: 8MP@15fps 5MP@25fps 4MP@30fps 1080P@30fps 720P@30fps Support CVBS input</p>
BNC Audio Input	<p>XVR301-04Q3:4-ch,channel audio XVR301-08Q3:8-ch,channel audio</p>
RCA Audio Input	1-ch
<b>Video/Audio Output</b>	<b>Description</b>
HDMI Output	HDMI:4K(3840x2160)/30Hz, 1920x1080/60Hz, 1920x1080/50Hz, 1600x1200/60Hz, 1280x1024/60Hz, 1280x720/60Hz, 1024x768/60Hz
VGA Output	VGA: 1920x1080p/60Hz, 1920x1080p/50Hz, 1600x1200/60Hz, 1280x1024/60Hz, 1280x720/60Hz, 1024x768/60Hz
BNC Video Output	1-ch
RCA Audio Output	1-ch
Live View Display	<p>XVR301-04Q3:HDMI/VGA: 1/4/6/8/9 XVR301-08Q3:HDMI/VGA: 1/4/6/8/9/16</p>
<b>Encoding/Decoding</b>	<b>Description</b>
Recording Resolution	8MP Lite/5MP Lite/4MP Lite/1080P/720P/D1
Recording Frame Rate	<p>Main stream: 8MP Lite@8fps Sub stream: D1@8fps Main stream: 5MP Lite@12fps Sub stream: D1@12fps Main stream: 4MP Lite@15fps Sub stream: D1@15fps Main stream: 1080P@15fps Sub stream: D1@15fps Main stream: 720P@30fps Sub stream: D1@30fps</p>

Audio Sample Rate	8KHz,16 bit per channel
Audio Bit Rate	64Kbps per channel
Decoding Capability	XVR301-04Q3:Analog: 4 x 8MP Lite@8, 4x 5MP Lite@12, 4x 4MP Lite@15, 4 x 1080P@15 IP: 1 x 4MP@30, 2 x 1080P@30  XVR301-08Q3:Analog: 8 x 8MP Lite@8, 8x 5MP Lite@12, 8x 4MP Lite@15, 8x 1080P@15 IP: 1 x 8MP@30, 2 x 4MP@30, 4 x 1080P@30
<b>Two-way Audio</b>	<b>Description</b>
Two-way Audio	1-ch, RCA(Using the audio input and output)
<b>Analog Snapshot</b>	<b>Description</b>
FTP/Schedule/Event Snapshot	XVR301-04Q3:Schedule/FTP/Event snapshot:4-ch snapshot, up to 704*576 resolution XVR301-08Q3:Schedule/FTP/Event snapshot:8-ch snapshot, up to 704*576 resolution
<b>Network</b>	<b>Description</b>
Incoming Bandwidth	XVR301-04Q3:40Mbps (Up to 48Mbps after all analog channel conversion) XVR301-08Q3:40Mbps (Up to 56Mbps after all analog channel conversion)
Outgoing Bandwidth	XVR301-04Q3:48Mbps XVR301-08Q3:64Mbps
Remote Users	128
Protocols	TCP/IP, P2P, UPnP, DHCP, HTTP, HTTPS, DNS, DDNS, SMTP
Browser(Plugin)	IE(IE10/11) Firefox (version 52.0 and above) Chrome(version 45 and above) Edge(version 79 and above)
<b>Smart</b>	<b>Description</b>
Analog Smart by XVR	Ultra Motion Detection(UMD)
VCA Search	Face Search,Behavior Search
Smart Functions by XVR	XVR301-04Q3:4-ch(UMD) XVR301-08Q3:8-ch(UMD)
<b>Alarm</b>	<b>Description</b>
General Alarm	Motion
Alert Alarm	IP Conflict, Network Disconnected, Disk offline, Disk Abnormal, Illegal Access, Hard Disk Space Low, Hard Disk Full, Recording/Snapshot Abnormal
<b>Hard Disk</b>	<b>Description</b>
Capacity	Up to 8TB for each HDD (The maximum HDD capacity varies with environment temperature)
<b>External Interface</b>	<b>Description</b>
Network Interface	1 RJ45 10M/100M self-adaptive Ethernet Interface
USB	Rear panel: 2 x USB2.0
RS485	1
Alarm In	4-ch
Alarm Out	1-ch

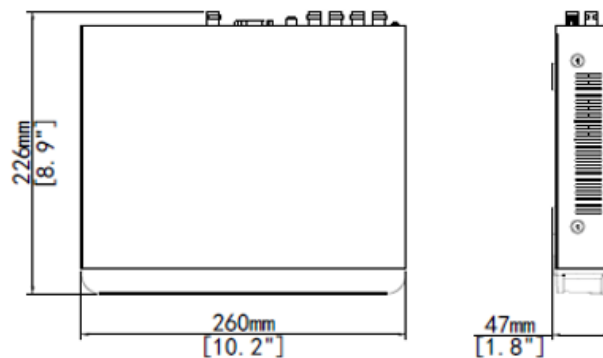
Power Supply	DC12V 2A
Working Environment	Description
Working Temperature	-10° C ~ + 55° C ( +14° F ~ +131° F )
Working Humidity	≤ 90% RH(non-condensing)
Power Consumption (without HDD)	≤ 10W
Dimensions	Description
Weight (without HDD)	≤1.1 Kg ( 2.42lb )
Dimensions	260mm × 226mm × 47mm (10.2" × 8.9" × 1.8")
Certification	Description
Certification	CE, FCC, UL, RoHS, WEEE
CE	EN 55032, EN 61000-3-3, EN IEC 61000-3-2, EN 55035
FCC	Part15 Subpart B

## Dimensions

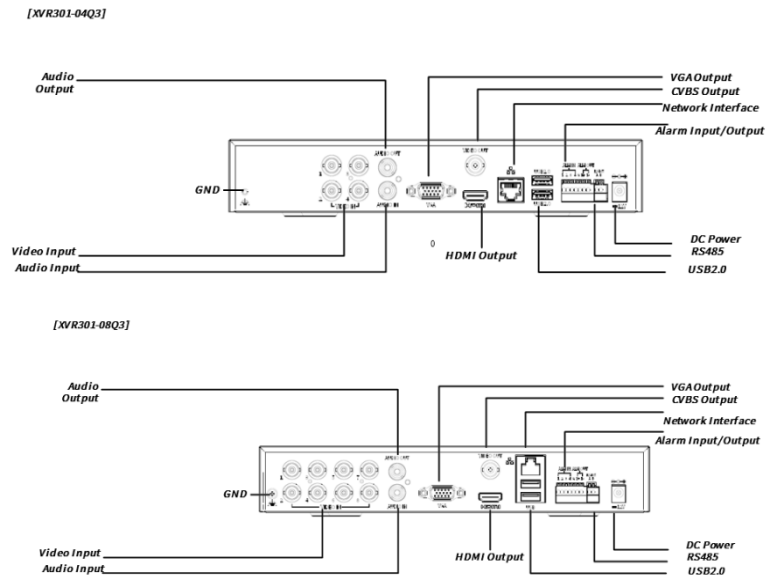
*[XVR301-04Q3]*



*[XVR301-08Q3]*



## Rear Panel



**Zhejiang Uniview Technologies Co., Ltd.**

No. 369, Xietong Road, Xixing Sub-district, Binjiang District, Hangzhou City, 310051, Zhejiang Province, China

Email: [overseasbusiness@uniview.com](mailto:overseasbusiness@uniview.com); [globalsupport@uniview.com](mailto:globalsupport@uniview.com)

<http://www.uniview.com>

©2023 Zhejiang Uniview Technologies Co., Ltd. All rights reserved.

\*Product specifications and availability are subject to change without notice.