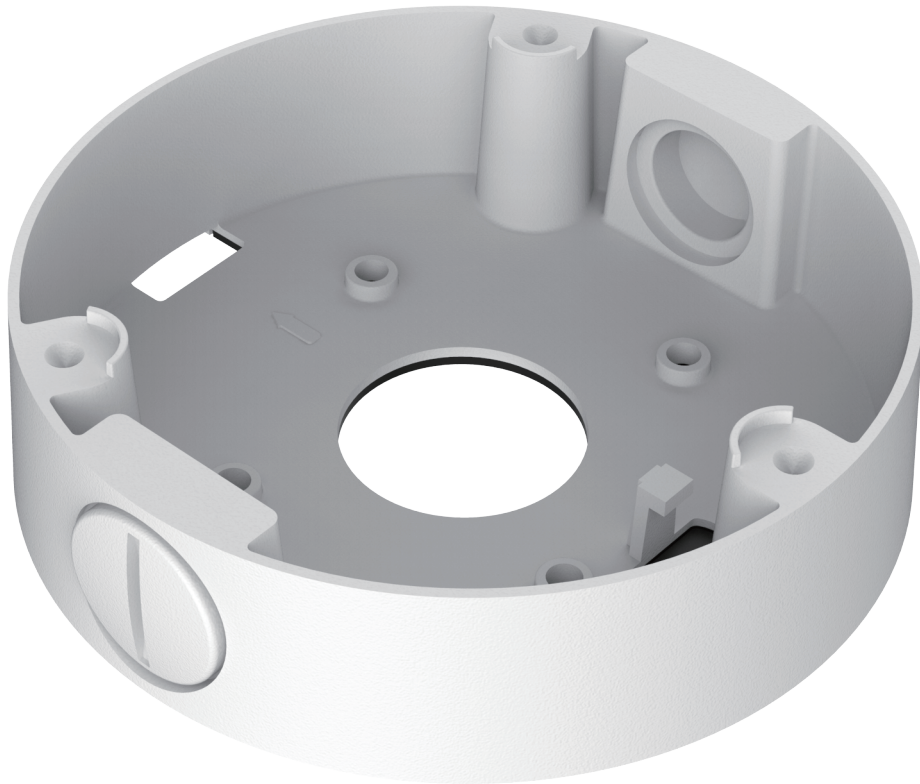


MC129



Features

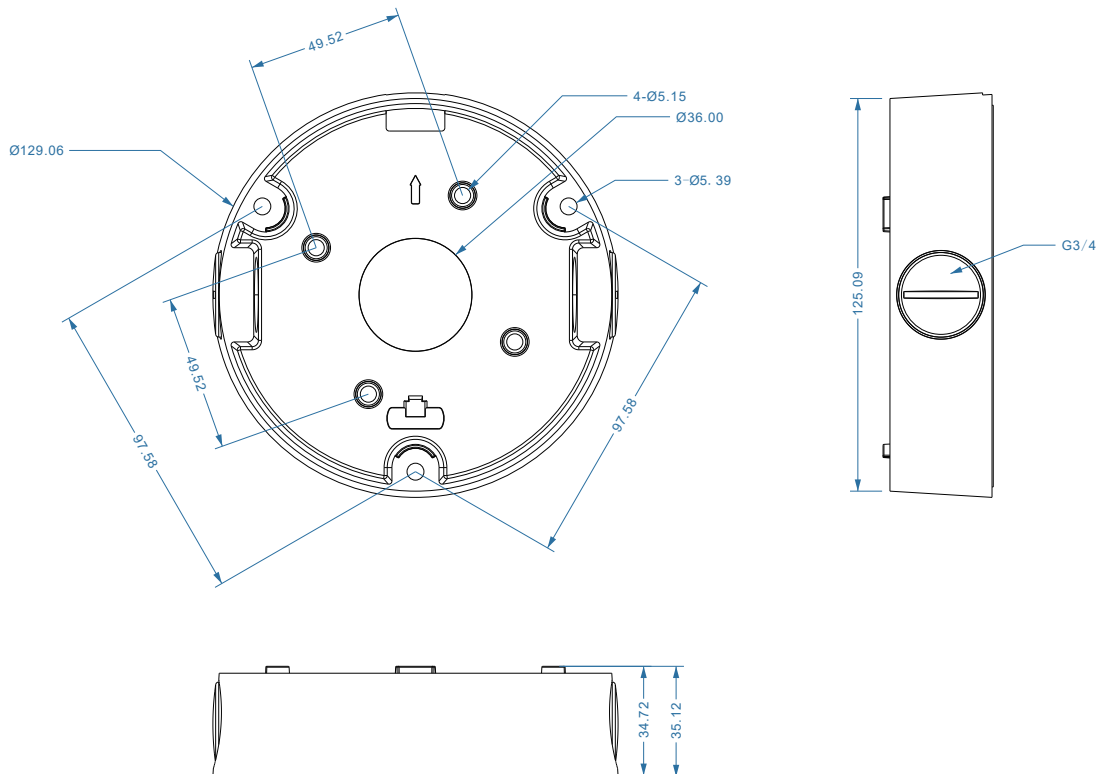
Aesthetic design

Material: Aluminum

Technical Specifications

Model	MC129
Material	Aluminum
Dimension(WxHxD)	Ø 129mm x 35 mm
Weight	225g (Single machine) 255g(with packaging)
Color	White
Operating Temperature	-40°C ~ +60°C (-40°F ~ +140°F)
Humidity	< 90% RH
Package Size	137x133x40mm

Dimensions (mm)



Packaging Information

PM4x10,4pcs