

# B310

Water-proof Junction Box



## Features

Aesthetic design

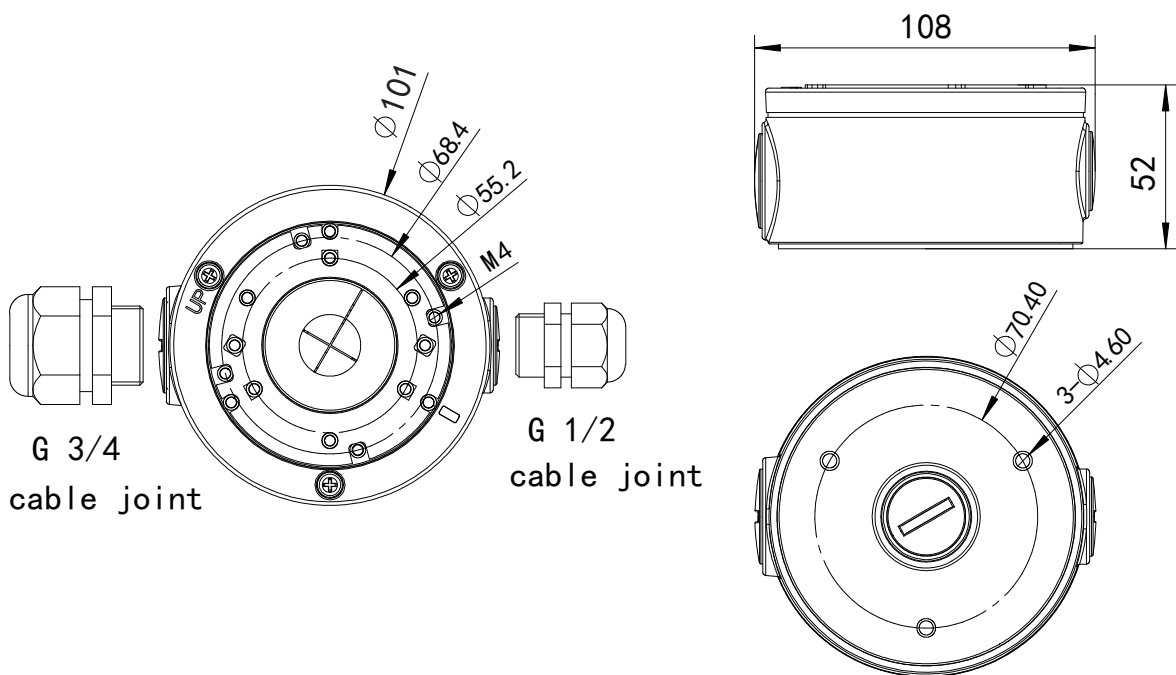
IP66 Junction Box

Material: Aluminum & SECC

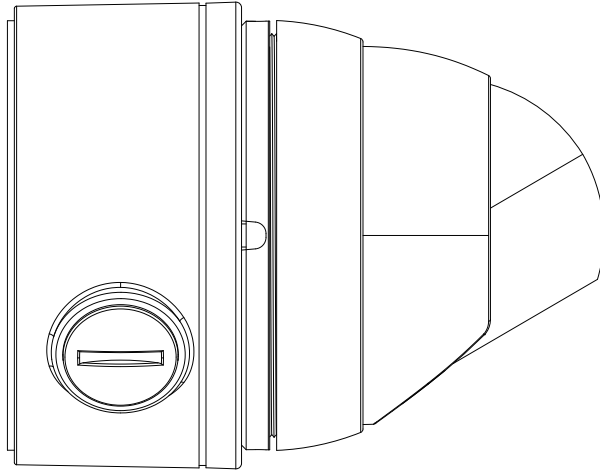
# Technical Specifications

Model	B310
Material	Aluminum & SECC
Dimension(WxHxD)	φ101mm x 52.5 mm
Weight	0.45kg(0.99lb) (Single machine packaging)
Color	White
Operating Temperature	-40°C ~ +60°C (-40°F ~ +140°F)
Humidity	< 90% RH

## Dimensions (mm)



# Application



# Packaging Information

Wall mount bracket x 1

M4 screw x 3

ST4 screw x 4

Plastic anchor x 4

