

B245

Wall Mount Bracket



Features

Aesthetic design

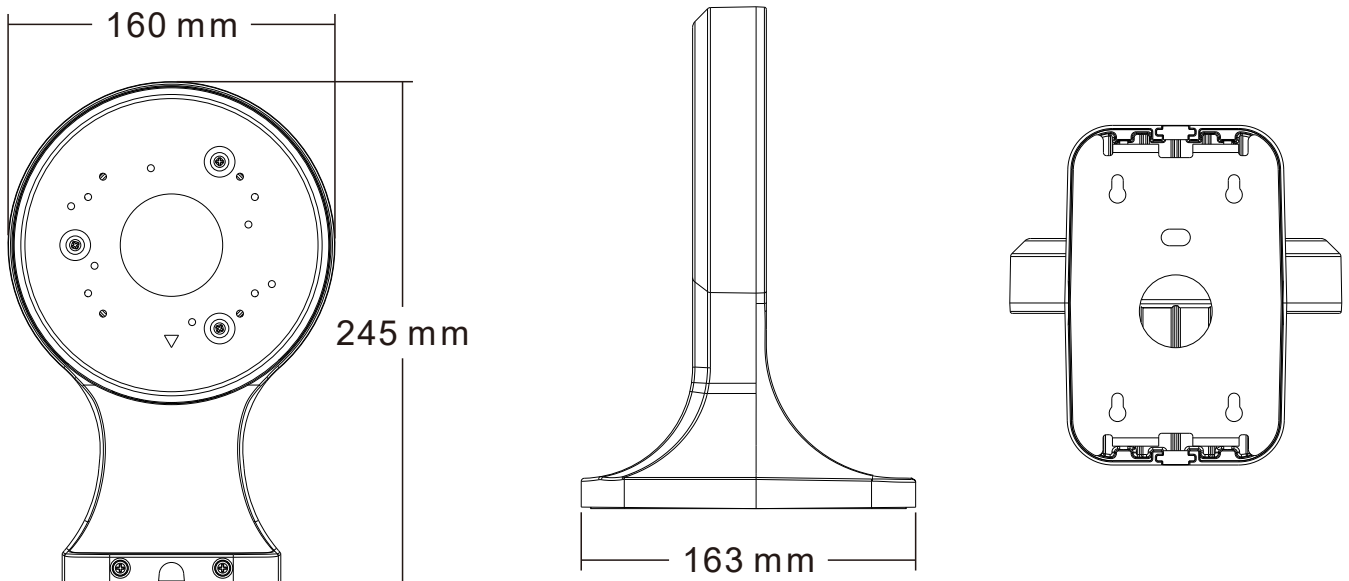
Wall mount bracket

Material: Aluminum & SECC

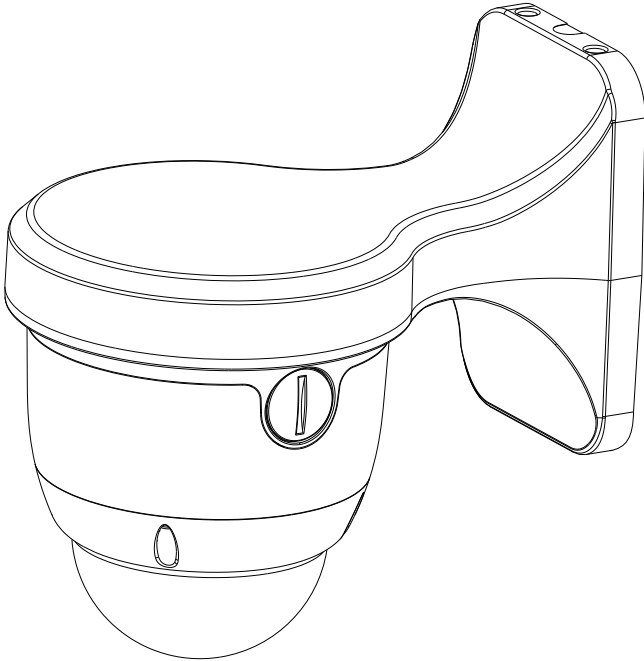
Technical Specifications

Model	B245
Material	Aluminum & SECC
Dimension(WxHxD)	245 x 160 x 163 mm
Weight	1050g (Single machine packaging)
Color	White
Operating Temperature	-40°C ~ +60°C (-40°F ~ +140°F)
Humidity	< 90% RH

Dimensions (mm)



Application



Packaging Information

- Wall mount bracket x 1
- M4 screw x 3
- ST4 screw x 4
- Plastic anchor x 4

