

B173-01



Features

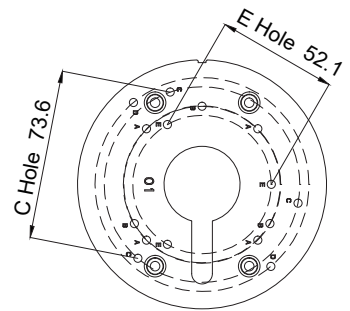
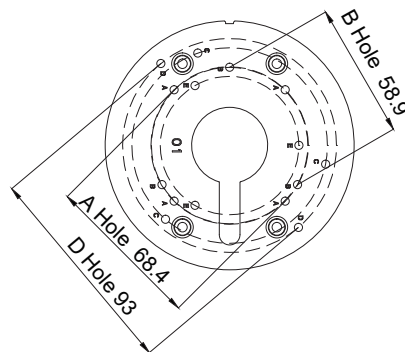
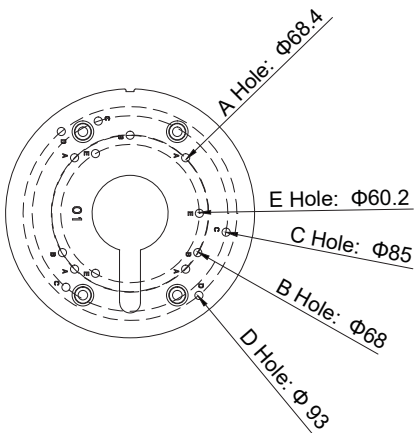
Aesthetic design

Main material: Aluminum; SPCC

Technical Specifications

Model	B173-01
Main material	Aluminum; SPCC
Dimension(LxWxH)	173(L) x 111(W) x 114(H) mm
Weight	475g (bare machine)
Color	White
Operating Temperature	-30°C ~ +60°C
Humidity	< 95% RH
Waterproof grade	N/A

Dimensions (mm)



Packaging Information

- 1、 Screw pack : 1)、 M4x10, 4pcs; 2)、 PAX30, 4pcs; 3)、 Plastic expansion pipe, 4pcs.
- 2、 White adhesive sticker (with backing adhesive): 91x66mm, 1pcs.