

# M8ZT-2

4K (8MP) Varifocal Turret Dome IP POE Weatherproof Security Camera W/ 3.3-12mm Motorized Lens



## PRODUCT HIGHLIGHTS

Up to 8MP 4K Ultra HD Resolution

3.3 - 12mm Motorized Varifocal Lens

1/2.5" Progressive CMOS Image Sensor

Field of View: 105° - 37°

Up to 50m IR range

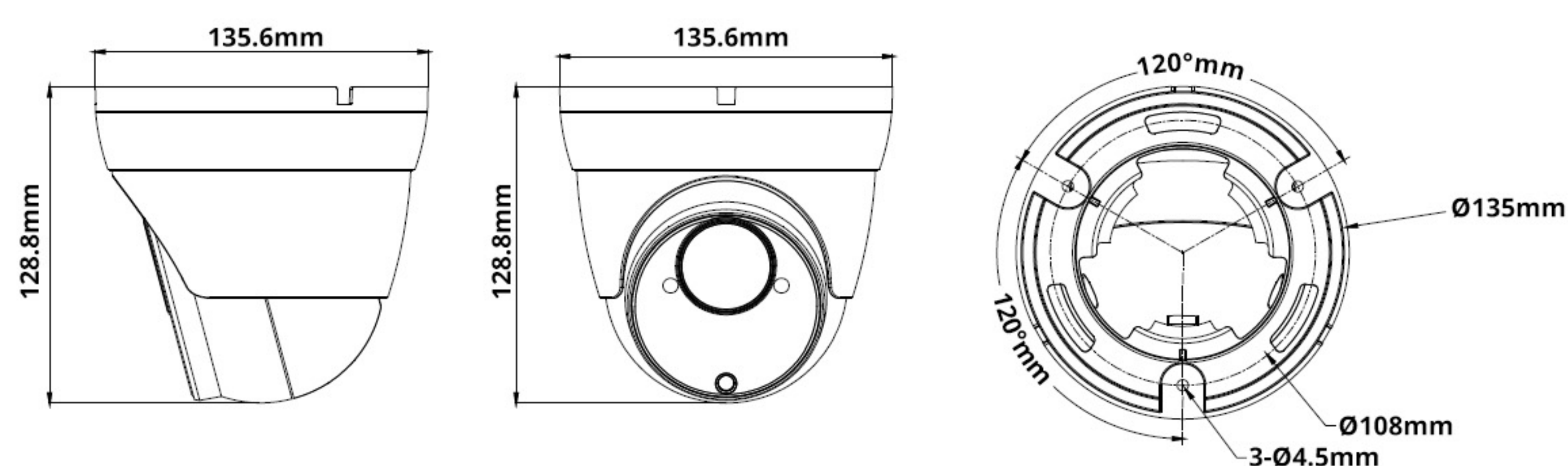
H.265 / H.264 Video Compression

IP66 Weatherproof Protection

DC12V or POE Power



## PRODUCT DIMENSIONS



## PRODUCT SPECIFICATIONS

Product Model	M8ZT-2
Highest Resolution	8MP (4K) 3840(H)×2160(V)
Image Sensor	1/2.5" Progressive CMOS
Min. Illumination	Color 0.1lux @ F1.2(AGC ON) ; B/W 0 lux @ IR ON
Shutter	1/5 ~ 1/20000s
Lens	3.3 ~ 12mm (Motorized) H.FOV: 105 ~ 37°
F No.	F1.8(W) ~ F3.2 (T)±5%
WDR	120dB
Video Compression	H.265 / H.264
Video Bit Rate	8Kbps ~ 16Mbps
Resolution	<b>Triple Streams Supported:</b> <b>Main Stream (1~30fps)</b> 8MP (3840x2160), 5MP(3072x1728), (2592x1944), 4MP (2592x1520), 3MP (2304x1296), 1080P (1920x1080), 720P (1280x720) <b>Sub Stream (1~30fps)</b> 1080P (1920x1080), 720P (1280x720), VGA (640x480), QVGA (320x240) <b>Mobile Stream (1~30fps)</b> VGA (640x480), QVGA (320x240)
Image Controls	Flip, Rotation, Corridor Mode, Saturation, Brightness, Contrast, Hue, Sharpness Adjustable
Day & Night	IR cut filter with auto switch (Day/Night/Auto/Schedule)
System Compatibility	ONVIF (v2.6)
Interface	RJ45 10M / 100M Ethernet interface
IR LED Range	Up to 50m
Weatherproof Rating	IP66
Power Supply	DC12V or POE
Consumption	≤ 9W
Dimensions	Ø135.6x128.8mm
Weight	~1.9 lbs
Operating Temperature	-22°F ~ +131°F