

M5ZB

5MP Varifocal Bullet IP POE Weatherproof Security Camera W/ Motorized 2.7-13.5mm Lens



PRODUCT HIGHLIGHTS

Up to 5MP HD Resolution

2.7 ~ 13.5mm (Motorized)

1/2.7" Progressive CMOS Image Sensor

Field of View: 116 ~ 34°

Up to 40m IR range

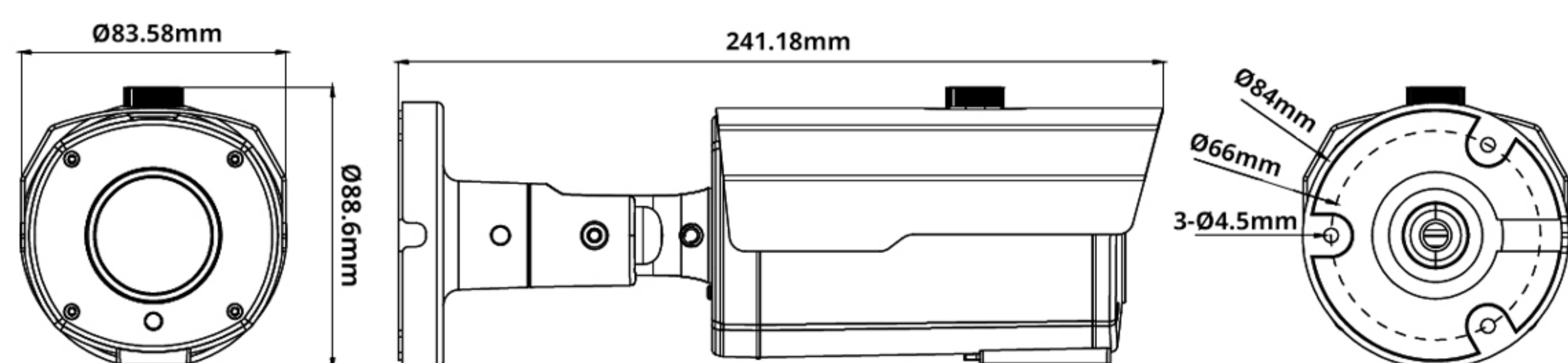
H.265 / H.264 Video Compression

IP66 Weatherproof Protection

DC12V or POE Power



PRODUCT DIMENSIONS



PRODUCT SPECIFICATIONS

Product Model	M5ZB
Highest Resolution	5MP 2592(H)×1944(V)
Image Sensor	1/2.7" Progressive CMOS
Min. Illumination	Color 0.1lux @ F1.2(AGC ON) ; B/W 0 lux @ IR ON
Shutter	1/5 ~ 1/20000s
Lens	2.7 ~ 13.5mm (Motorized) H.FOV: 116 ~ 34 °
F No.	F1.8(W) ~ F3.2 (T)±5%
WDR	Digital WDR
Video Compression	H.265 / H.264
Video Bit Rate	8Kbps ~ 8Mbps
Resolution	Dual Streams Supported: Main Stream (1-30fps) 5MP @ 1-15fps (2592×1944), 4MP @ 1-25fps (2592×1520), 3MP (2048×1520), (2304×1296), 1080P @ 30fps (1920×1080), 960P(1280×960), 720P (1280×720) Sub Stream (10FPS / VGA) VGA (640×480), QVGA (320×240)
Image Controls	Flip, Rotation ,Saturation, Brightness, Contrast, Hue, Sharpness Adjustable
Day & Night	IR cut filter with auto switch (Day/Night/Auto/Schedule)
System Compatibility	ONVIF (v2.6)
Interface	RJ45 10M / 100M Ethernet interface
IR LED Range	Up to 40m
Weatherproof Rating	IP66
Power Supply	DC12V or POE
Consumption	≤ 9W
Dimensions	Ø88.6x241.18mm
Weight	~1.8 lbs
Operating Temperature	-22°F ~ +131°F