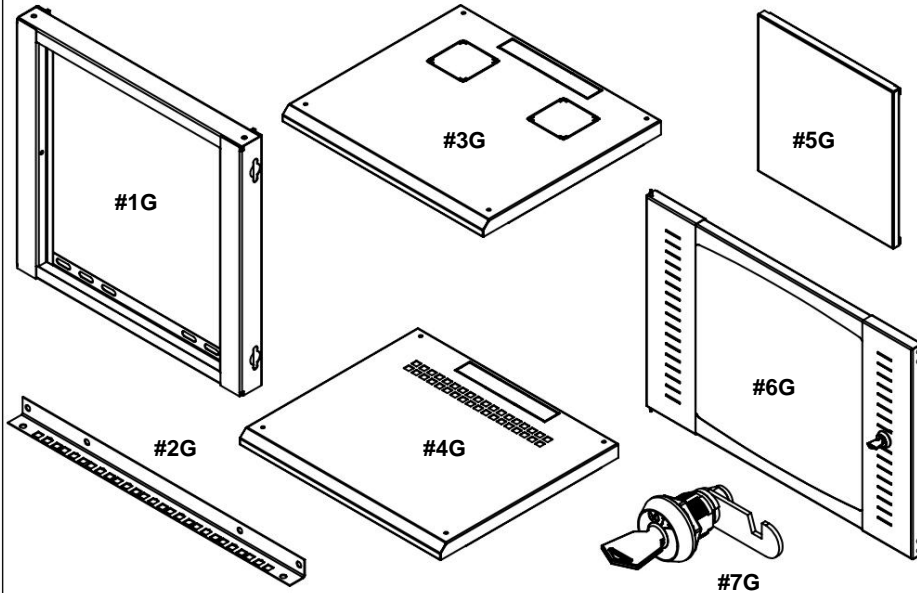
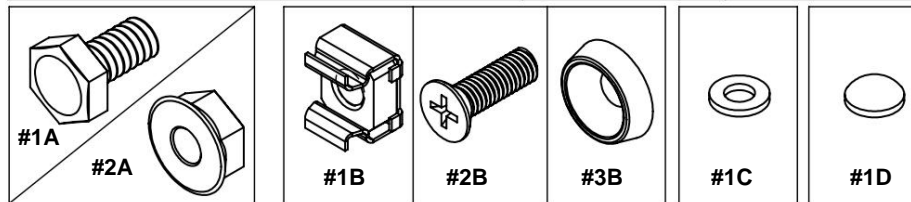


**CABINET PARTS**

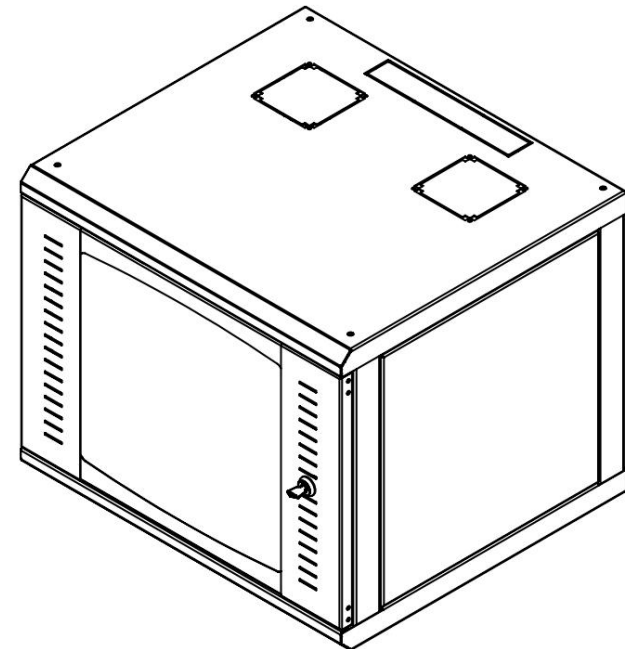
ELEMENT	QUANTITY 2 4	PART
SUPPORT PICTURES		#1G
RACKS		#2G
TOP COVER		#3G
BOTTOM COVER		#4G
LATERALS		#5G
DOOR		#6G
SECURITY PLATE		#7G

**SCREWS AND ACCESSORIES**

ELEMENT	QUANTITY 16	PART
HEXAGON SCREW 1/4"	16	#1A
1/4" NUT	14	#2A
CAGED NUT	14	#1B
TAPERED SCREW 10-32	12	#2B
CONICAL PLASTIC WASHER	4	#3B
PLASTIC WASHER	6	#1C
PLASTIC STOPPER		#1D

**User manual for Cabinet  
SR19XXGFP**

Wall Mount Cabinet with 19" Rack



MODEL	HEIGHT	REVISION
SR1904GFP	265 mm	1.1.0
SR1906GFP	354 mm	3.4.0
SR1909GFP	488 mm	3.3.0
SR1912GFP	620 mm	3.3.0
SR1916GFP	799 mm	3.2.0
SR1924GFP	1,154 mm	3.2.0

### INTRODUCTION

Thank you for purchasing this SR19XXGFP enclosure. The information contained in this manual will assist you in the assembly of the product.

#### Recommendations

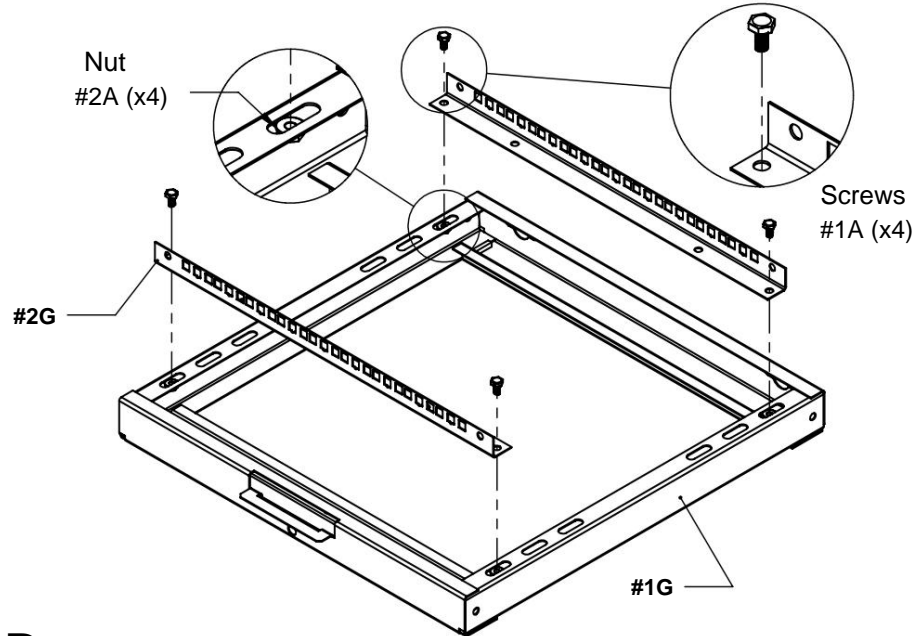
- Begin installing the equipment(s) only after you have finished installing the Cabinet.
- Match the components and tighten the pieces until everything is assembled.

#### Tool (Not Included)

- Wrench and/or ratchet with 7/16" socket.
- Phillips screwdriver.

## 1-A

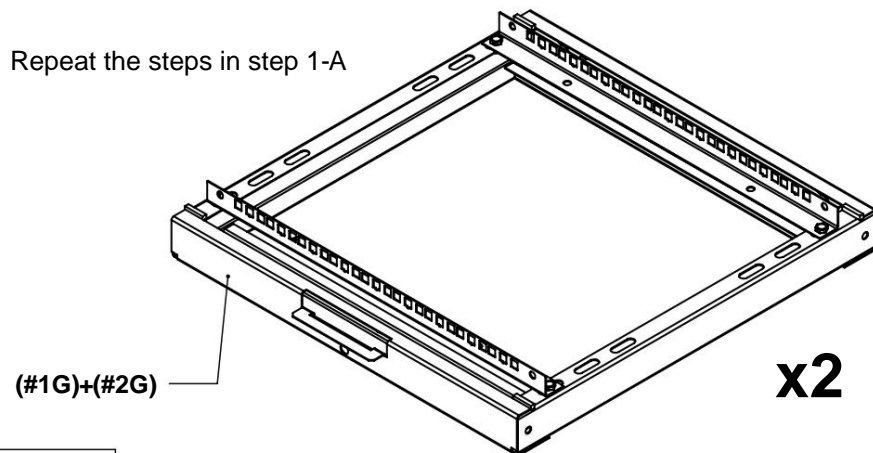
### RACK ASSEMBLY IN FRAME



## 1-B

### COMPLETE FRAME ASSEMBLY

Repeat the steps in step 1-A



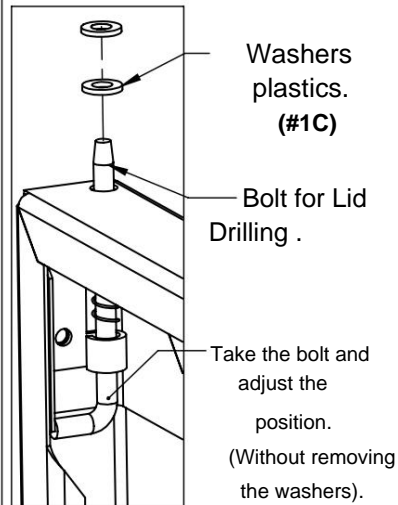
## 6

### DOOR ARRANGEMENT

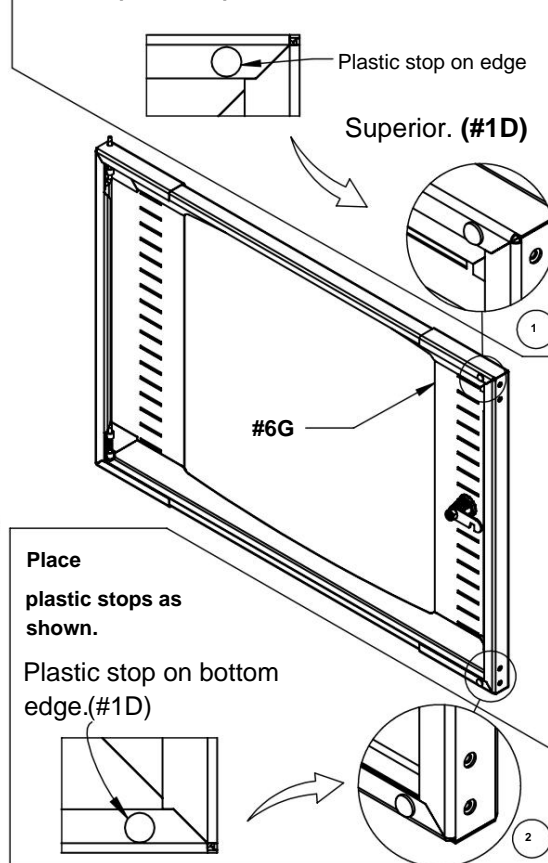
#### Fixing to cabinet and plastic stops.

1. Identify the hinges.
2. Place two plastic washers (#1C) over each bolt.
3. Identify the holes in the cabinet tops and position the door.
4. Place plastic stops on the edge of the door (End with Sheet Metal).

#### Hinges and Washers

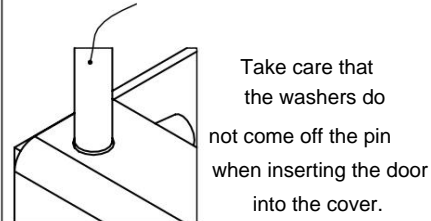


Place the plastic stops as shown.



#### Hinges on Doors

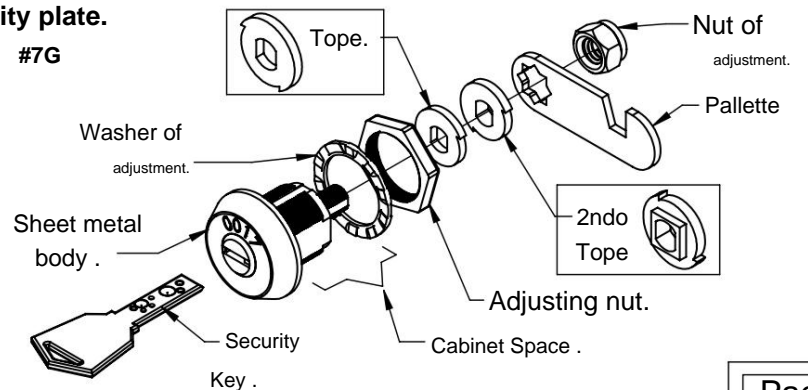
Place the bolts into the holes in the covers.



Place plastic stops as shown.

Plastic stop on bottom edge. (#1D)

#### Security plate.



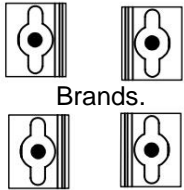
## 5 WALL MOUNTING

### Wall mounting.

1. Once the ideal anchor has been defined according to the wall material, proceed to fix the assembly to it.
2. Screw 4 1/2" screws and washers into the wall matching the keyholes on the mount.
3. Place the screws into the mount ensuring the stability of the cabinet.
4. Tighten all screws.

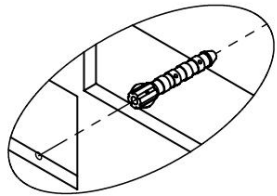
#### Guide Brands.

Measure and mark on the areas where you want to mount the Cabinet.



Make sure that the brands are correct before drilling.

#### 1) Perforate.



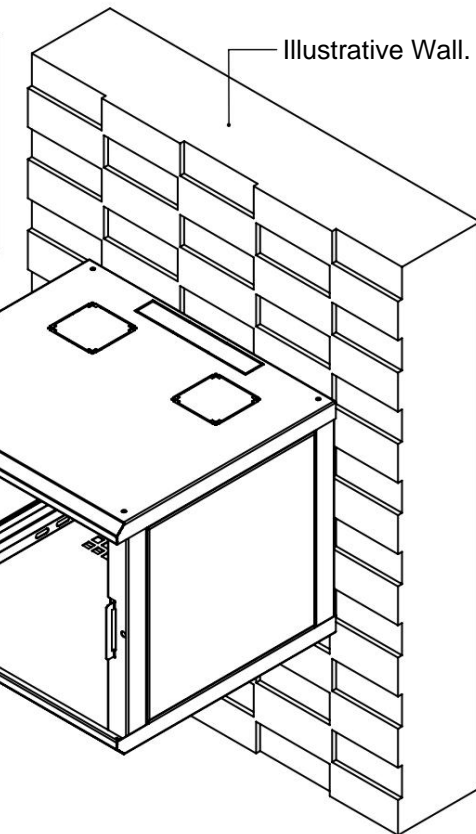
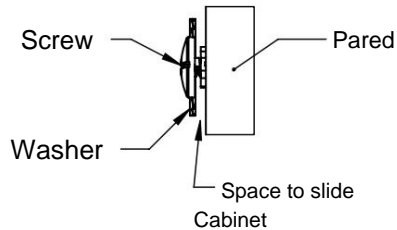
#### 2) Place the anchors.

(Not included).

#### 3) Screw with washers from inside the cabinet.

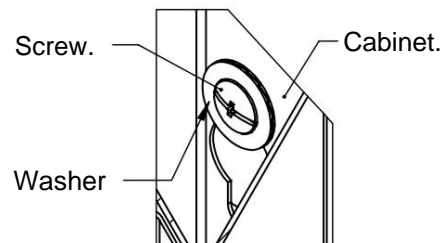
(Screws and washers not included)

#### 4) Leave enough space between the screws with washers and the wall to slide the cabinet.



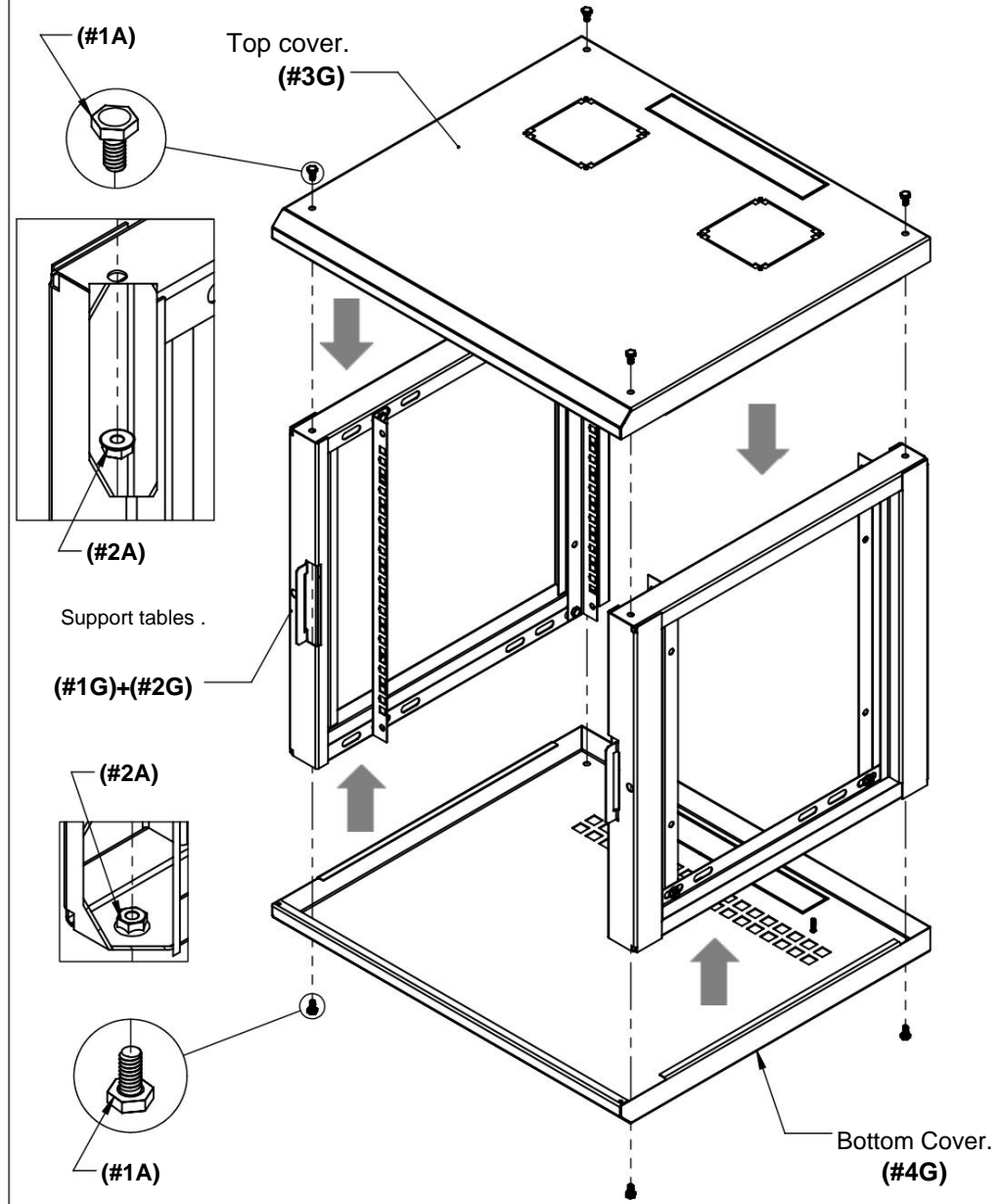
#### Place the Cabinet.

(Help is recommended to hold the Cabinet)



## 2 COMPLETE FRAME ASSEMBLY

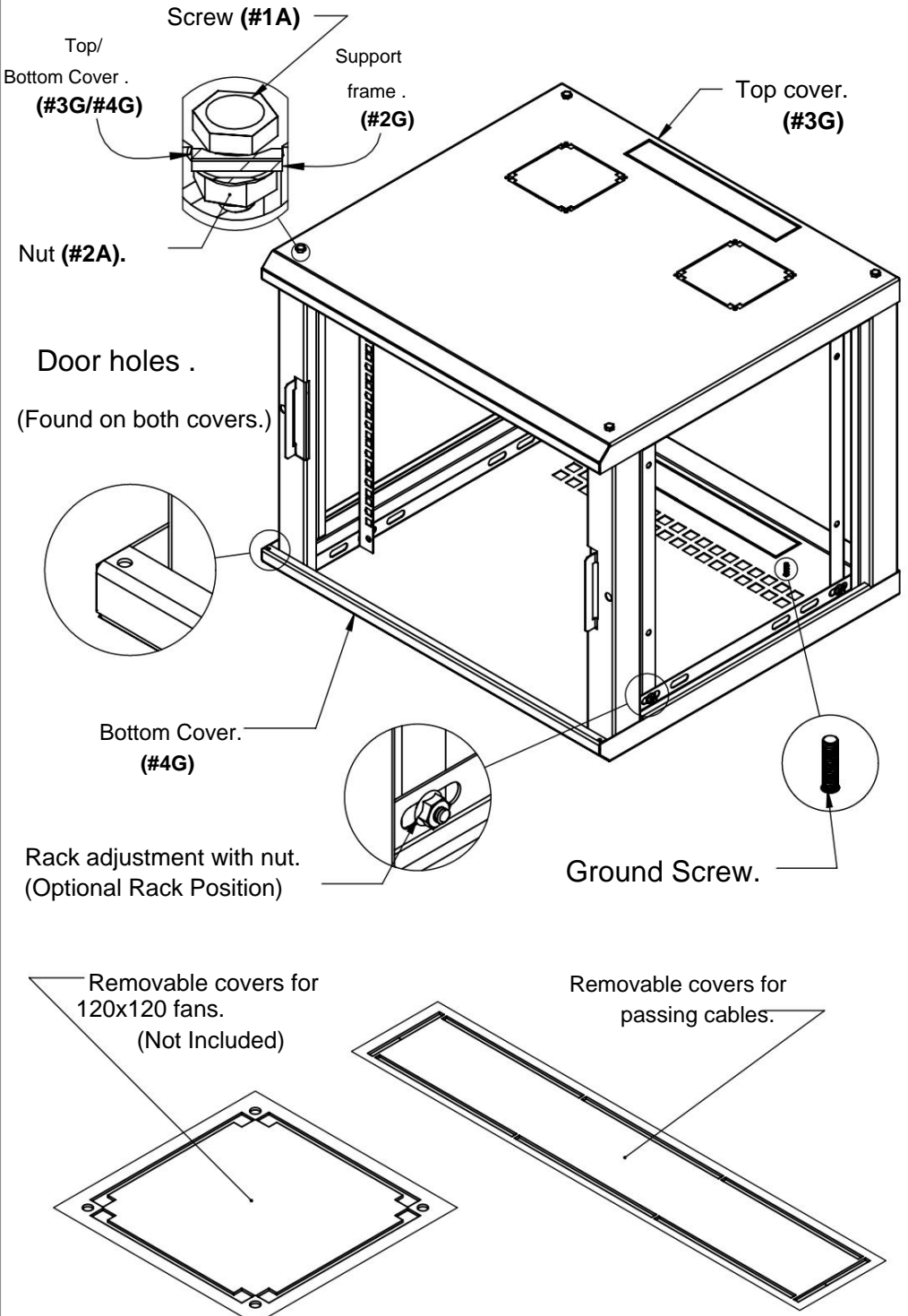
Nuts: Inside the frame (x4)  
Screws: On the outside of the top cover (x4)



Nuts: Inside the frame (x4)  
Screws: On the outside of the bottom cover (x4)

### 3

## ASSEMBLED BODY DIAGRAMS



### 4

## SIDE ASSEMBLY

