

Surface-Mount Electric Rim Strikes

SD-998C-D3Q 3/4" Housing Thickness

SD-998C-D3AQ 1/2" Housing Thickness

The SECO-LARM Surface-Mount Electric Rim Strikes are designed with the strength and durability for use with rim-type exit devices with a Pullman latch bolt (3/4" throw for the SD-998C-D3Q, 1/2" throw for the SD-998C-D3AQ). The strikes feature 12/24 VDC operating voltage, selectable fail-safe/fail-secure operation, horizontal adjustment, and a surface-mount metal housing, eliminating the need for frame cutting during installation.



SD-998C-D3Q shown

Features

- UL 294 & UL 1034 Listed
- Tamper-resistant
- 12/24 VDC Operating voltage
- Non-polarized connection
- Horizontal adjustment
- Accommodates up to 3/4" Pullman latch
- Reversible non-handed design
- Stainless steel construction
- Surface-mount on metal or wood frames
- Works with standard rim-type exit devices including SECO-LARM SD-962AR-36A, SD-962AR-36G, SD-962BR-36A, and SD-962BR-36G
- For indoor use only
- Static strength – 1,500-lb (6673N)
- Tested for 250,000 cycles (UL Tested)
- Low current draw: 540mA@12VDC, 270mA@24VDC
- Field-selectable for fail-safe or fail-secure
- Spacers included
 - SD-998C-D3Q – 3x 1/32" (0.9mm)
 - SD-998C-D3AQ – 1x 1/16", 2x 1/8" (1.5mm, 3mm)

12/24
VDC

Fail-Safe /
Fail-Secure

Horizontal
Adjustment

UL
294

1,500-lb
Static
Strength

70ft-lb
Dynamic
Strength

UL
1034

Specifications

Model	SD-998C-D3Q	SD-998C-D3AQ
Operating voltage	12/24 VDC	
Current draw	540mA@12VDC, 270mA@24VDC	
Maximum latch throw	3/4" (19mm)	1/2" (13mm)
Static strength	1,500-lb (6673N)	
Dynamic strength	70ft-lb (95J)	
Endurance	250,000 cycles (UL Tested), Level IV	
Destructive attack	Level I	
Line security	Level I	
Standby power	Level I	
Operating temperature	14°~120° F (-10°~49° C)	
Operating humidity	0~85%	
Dimensions	9"x1 3/4"x3/4" (229x45x19 mm)	9"x1 3/4"x1/2" (229x45x13 mm)

SECO-LARM® U.S.A., Inc.

16842 Millikan Avenue, Irvine, CA 92606

Phone: (949) 261-2999 | (800) 662-0800 Fax: (949) 261-7326

Website: www.seco-larm.com Email: sales@seco-larm.com

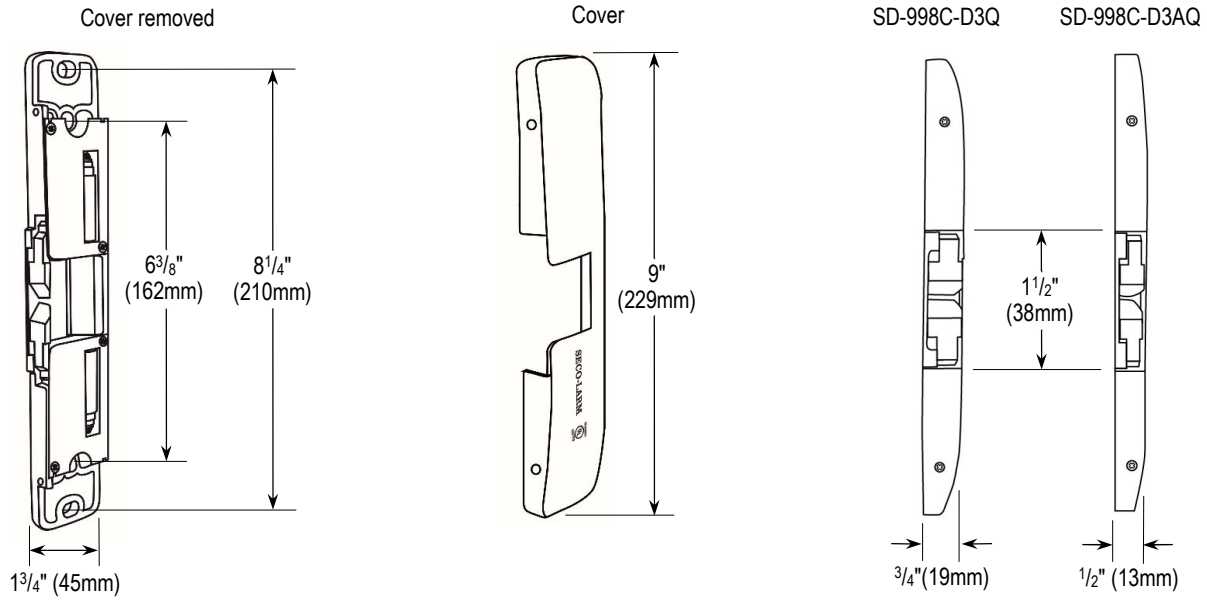


Copyright © 2024 SECO-LARM U.S.A., Inc. All rights reserved. All trademarks are the property of SECO-LARM U.S.A., Inc. or their respective owners. The SECO-LARM policy is one of continual development. For that reason, SECO-LARM reserves the right to change prices and specifications without notice. SECO-LARM is not responsible for misprints.

SECO-LARM® ENFORCER® CRIMEBUSTER® CBA® SLI®

PI_SD-998C-D3xQ_240509.docx

Dimensions



Accessories

**Surface-Mount Bracket
SD-998SMB**



Product



Installation*



Sample Application*

*SD-998C-D3Q Aluminum finished strike shown.