

# 4MP 10X LightHunter Network PTZ Dome Camera Datasheet

IPC6434LR-X10-VG1



Ultra  
H.265



6kv



LightHunter



WDR



POE



IP 66



IK 10

## Features

- High quality image with 4MP, 1/2.9" CMOS sensor
- 2688\*1520@30fps in the main stream
- Ultra 265, H.265, H.264, MJPEG
- Dual streams
- 10X optical zoom
- LightHunter technology ensures ultra-high image quality in low illumination environment
- Smart IR, up to 100m (328ft) IR distance
- DC12V  $\pm$  10% or PoE+ (IEEE 802.3at)
- Alarm 2 in and 1 out, audio 1 in and 1 out
- IP66 ingress protection
- IK10 vandal resistant

## Specifications

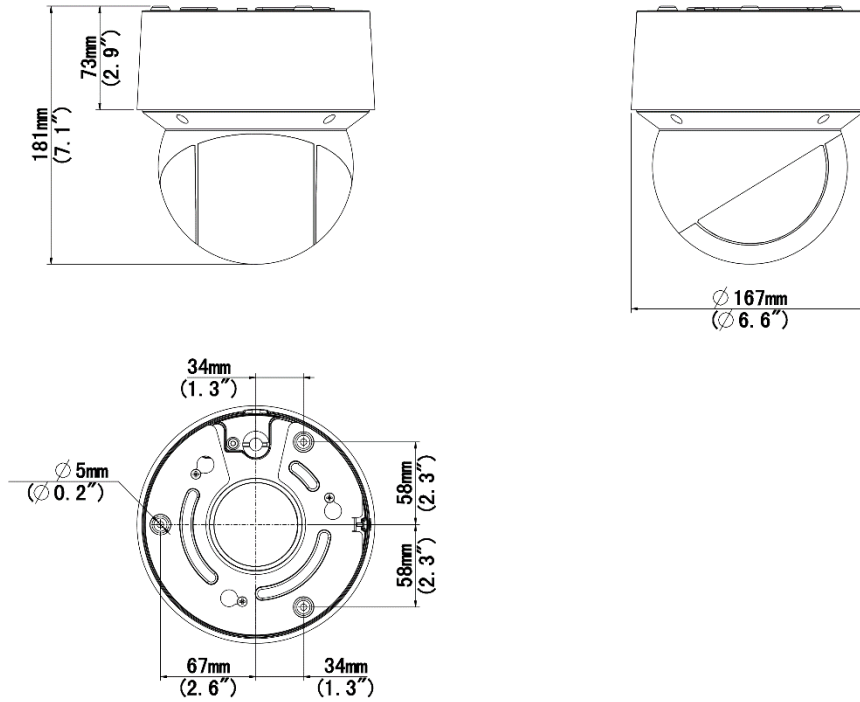
Camera	Description
Max Resolution	4 MP
Sensor	1/2.9" CMOS
Min. Illumination	Colour: 0.005 Lux (F1.78, AGC ON) 0 Lux with IR
Day/Night	IR-cut filter with auto switch (ICR)
Shutter	Auto/Manual, 1 ~ 1/100000s
WDR	120 dB
S/N	>56 dB
Lens	Description
Focal Length	5.5 to 55 mm
Optical Zoom	10X
Iris	F1.78-F3.73
Field of View (H)	50.85°~3.47°
Field of View (V)	29.94°~1.95°
Field of View (D)	62.55°~4.09°
DORI	Description
DORI Distance (Detect)	127.6m~2048.4m(418.6ft~6720.5ft)
DORI Distance (Observe)	51.0m~819.4m(167.4ft~2688.2ft)
DORI Distance (Recognize)	25.5m~409.7m(83.7ft~1344.1ft)
DORI Distance (Identify)	12.8m~204.8m(41.9ft~672.0ft)
Illuminator	Description
Illumination Distance (IR)	Up to 100m (328 ft) IR range
IR On/Off Control	Auto/Manual
Wavelength	850 nm
Video	Description
Privacy Mask	24 areas, up to 4 areas per scene
Video Compression	Ultra 265, H.265, H.264, MJPEG
Frame Rate	Main Stream: 4MP(2688*1520),Max 30fps

	Sub Stream: 720P(1280*720), Max 30fps
Video Bit Rate	128 Kbps to 16 Mbps
U-code	Support
ROI	Support
Video Stream	Dual Streams
OSD	Up to 4 OSDs
<b>Image</b>	<b>Description</b>
Defog	Digital Defog
White Balance	Auto, Outdoor, Fine Tune, Sodium Lamp, Locked, Auto2
Digital Noise Reduction	2D/3D DNR
Flip	Normal, Flip Vertical, Flip Horizontal, 180°
HLC	Support
BLC	Support
Smart IR	Support
<b>Intelligent</b>	<b>Description</b>
Auto Tracking	Support, target filtering: human and vehicle
Smart Intrusion Prevention	Cross line detection, Intrusion detection (support false alarm filtering and the classification of human and vehicle)
<b>Events</b>	<b>Description</b>
Basic Detection	Motion Detection, Tampering Alarm, Audio Detection
General Function	Watermark, IP Address Filtering, Access Policy, ARP Protection, RTSP Authentication, User Authentication, Alarm Input
<b>Audio</b>	<b>Description</b>
Audio Compression	G.711U, G.711A
Audio Bitrate	128 Kbps
Two-way Audio	Support
Suppression	Support
Sampling Rate	16KHZ
<b>Storage</b>	<b>Description</b>
Edge Storage	Micro SD, up to 512 GB
Network Storage	ANR, NAS (NFS)
<b>Network</b>	<b>Description</b>

User/Host	Up to 32 users. 3 user levels: administrator, common user and operator
Protocols	IPv4, IPv6, IGMP, RTP, ICMP, ARP, TCP, UDP, DHCP, PPPoE, RTSP, RTCP, RTMP, DNS, DDNS, NTP, FTP, UPnP, HTTP, HTTPS, 802.1x, SNMP, QoS, SSL/TLS
Compatible Integration	ONVIF (Profile S, Profile G, Profile T, Profile M), SDK, API
Security	Password Protection, Strong Password, HTTPS Encryption, Export Operation Logs, Basic and Digest Authentication for RTSP, Digest Authentication for HTTP, TLS 1.2, WSSE and Digest Authentication for ONVIF
Client	EZStation, UNV-Link, UNV-Link Pro
Web Browser	Plug-in required live view: IE 10 and above, Chrome 45 and above, Firefox 52 and above, Edge 79 and above
<b>PTZ</b>	<b>Description</b>
Pan Range	360°(endless)
Pan Speed	0.1°/s~240°/s
Tilt Range	- 5°~90°(auto flip)
Tilt Speed	0.1°/s~120°/s
Number of Presets	1024
Route Patrol	16 patrols, up to 32 actions for each patrol
Recorded Patrol	16 patrols, up to 128 actions for each patrol
Preset Patrol	16 patrols, up to 64 presets for each patrol
Patrol Stay Time	15 s to 1800 s
Home Position	Support
<b>Interface</b>	<b>Description</b>
Audio I/O	1 Input: impedance 1 k $\Omega$ , amplitude 2.5 V [p-p], 1 Output: impedance 600 $\Omega$ , amplitude 2.5 V [p-p]
Alarm I/O	2/1
Serial Port	1*RS485
Network	1*RJ45 10M/100M Base-TX Ethernet
<b>Certification</b>	<b>Description</b>
EMC	CE-EMC (EN 55032: 2015+A11:2020+A1: 2020,EN IEC 61000-3-2: 2019+A1: 2021,EN 61000-3-3: 2013+A1: 2019+A2:2021,EN 50130-4: 2011+A1:2014) FCC (FCC CFR 47 part15 B, ANSI C63.4-2014)
Safety	CE LVD (EN 62368-1:2014+A11:2017)

	UL (UL 62368-1, 2nd Ed., Issue Date: 2014-12-01)
Environment	CE-RoHS (2011/65/EU;(EU)2015/863)
Protection	IP66 (IEC 60529:1989+AMD1:1999+AMD2:2013) IK10 (IEC 62262:2002)
<b>General</b>	<b>Description</b>
Power	DC12V(± 10%,3A), PoE+(IEEE 802.3at)
Power Consumption	Max 23W
Power Interface	Ø5.5 mm coaxial power plug
Dimensions	Ø 167 x 181mm (Ø 6.6" x 7.1" ) (Ø x H)
Weight	2.3Kg(5.07lb)
Working Environment	-40°C~65°C (-40°F~149°F), Humidity: ≤95% RH (non-condensing)
Storage Environment	-40°C~70°C (-40°F~158°F), Humidity: ≤95% RH (non-condensing)
Surge Protection	6 KV
Reset Button	Support

## Dimensions



## Accessories

TR-FM180-IN

In-ceiling Bracket for Cover Dome



TR-CE45-IN

Dome Indoor Ceiling Mounting Bracket



TR-SE45-IN

Dome Ceiling Mounting Pole 200



TR-SE45-A-IN

Dome Ceiling Mounting Pole 500



TR-UF45-L-IN

Cover Dome Adapter



TR-WE45-IN

Dome Wall Mounting Bracket



TR-WE45-B-IN

Dome Gooseneck Bracket



TR-JB12-IN

Dome Junction Box



TR-UP08-B-IN

Aluminium Alloy Pole Mounting Bracket



TR-UC08-B-IN

Aluminium Alloy Corner Mounting Bracket



TR-JB04-E-IN

Cover Dome Junction Box



**Zhejiang Uniview Technologies Co., Ltd.**

No. 369, Xietong Road, Xixing Sub-district, Binjiang District, Hangzhou City, 310051, Zhejiang Province, China (Zhejiang) Pilot Free Trade Zone, China

Email: [overseasbusiness@uniview.com](mailto:overseasbusiness@uniview.com); [globalsupport@uniview.com](mailto:globalsupport@uniview.com)

<http://www.uniview.com>

©2023-2024 Zhejiang Uniview Technologies Co., Ltd. All rights reserved.

\*Product specifications and availability are subject to change without notice.

\*Despite our best efforts, technical or typographical errors may exist in this document. Uniview cannot be held responsible for any such errors and reserves the right to change the contents of this document without prior notice.