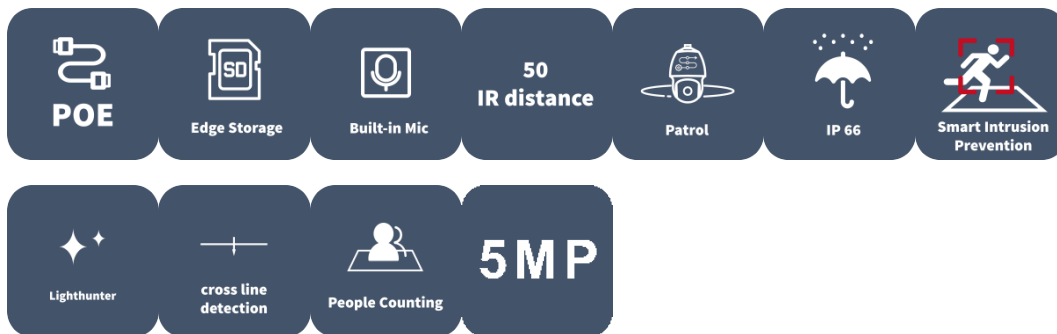


5MP LightHunter Active Deterrence Mini PTZ Camera

IPC6325LFW-AX5C-VG



Features

- High quality image with 5MP, 1/2.8" CMOS sensor
- Ultra 265, H.265, H.264, MJPEG
- Smart intrusion prevention, support false alarm filtering, include Cross Line, Intrusion, Enter Area, Leave Area detection
- LightHunter technology ensures ultra-high image quality in low illumination environment
- Up to 120 dB WDR (Wide Dynamic Range)
- Built-in Mic & Speaker
- Smart IR, Up to 50 m (164 ft) IR distance and 15m (49 ft) warm light distance
- Micro SD, up to 512GB
- IP66 protection
- DC12V or PoE (IEEE 802.3at) power supply

Specifications

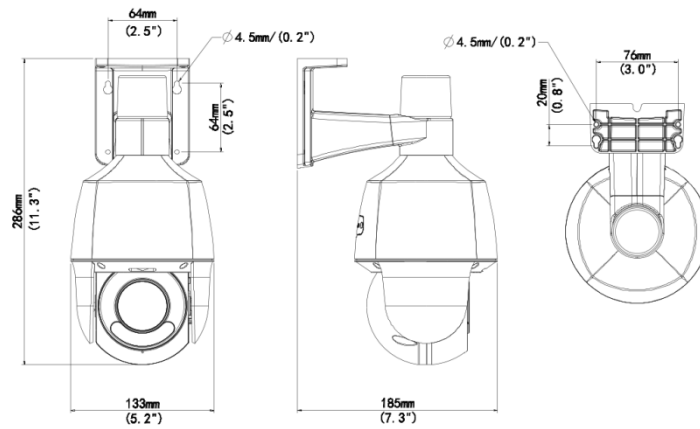
Camera	Description
Max Resolution	5 MP
Sensor	1/2.7" CMOS
Min. Illumination	Colour: 0.005 Lux (F1.2, AGC ON) 0 Lux with IR
Day/Night	IR-cut filter with auto switch (ICR)
Shutter	Auto/Manual, 1 ~ 1/100000s
WDR	120dB
S/N	>56dB
Lens	Description
Focal Length	2.7 ~ 13.5 mm
Optical Zoom	5X
Iris	F1.2
Field of View (H)	106.9°~30.6°
Field of View (V)	56°~17.7°
Field of View (D)	131.5°-36.1°
DORI	Description
DORI Distance (Detect)	70.9 m ~ 247.5 m (232.5 ft ~ 812 ft)
DORI Distance (Observe)	28.4 m ~ 99 m (93 ft ~ 324.8 ft)
DORI Distance (Recognize)	14.2 m ~ 49.5 m (46.5 ft ~ 162.4 ft)
DORI Distance (Identify)	7.1 m ~ 24.8 m (23.3 ft ~ 81.2 ft)
Illuminator	Description
Illumination Distance (Warm Light)	15 m (49.3 ft)
Illumination Distance (IR)	50 m (164.0 ft)
Wavelength	850 nm
Light On/Off Control	Auto/Manual
Video	Description
Privacy Mask	Up to 4 areas

Video Compression	Ultra 265, H.265, H.264, MJPEG
Frame Rate	Main Stream: 5MP (2880*1620), Max 30fps Sub Stream: 720P (1280*720), Max 30fps Third Stream: D1 (720*576), Max 30fps
Video Bit Rate	128 Kbps ~ 16 Mbps
U-code	Support
ROI	Support
Video Stream	Triple Streams
OSD	Up to 8 OSDs
Intelligent	Description
Exception Detection	Object Removed, Object Left Behind, Scene Change, Defocus Detection
People Counting	Support People Flow Counting and Crowd Density Monitoring
Auto Tracking	Support, target filtering: human only
Smart Intrusion Prevention	Cross line detection, Intrusion detection, Enter area detection, Leave area detection (support false alarm filtering and the classification of human, non-motor vehicle and vehicle)
Image	Description
Defog	Digital Defog
White Balance	Auto, Outdoor, Fine Tune, Sodium Lamp, Locked, Auto2
Digital Noise Reduction	2D/3D DNR
Flip	Normal, Flip Vertical, Flip Horizontal, 180°
HLC	Support
BLC	Support
Smart IR	Support
Events	Description
Basic Detection	Motion Detection, Tampering Alarm, Audio Detection, Object Removed, Object Left Behind, Scene Change, Defocus Detection
General Function	Watermark, IP Address Filtering, Access Policy, ARP Protection, RTSP Authentication, User Authentication
Audio	Description
Audio Compression	G.711U, G.711A
Audio Bitrate	128 Kbps
Two-way Audio	Support

Suppression	Support
Sampling Rate	16KHZ
Storage	Description
Edge Storage	Micro SD, up to 512 GB
Network Storage	ANR, NAS (NFS)
PTZ	Description
Pan Range	0° ~ 345°
Pan Speed	1°/s~50°/s
Tilt Range	-10° ~ 100°
Tilt Speed	1°/s~40°/s
Number of Presets	1024
Preset Patrol	16 patrols, up to 64 presets for each patrol
Patrol Stay Time	120 s ~ 1800 s
Home Position	Support
Network	Description
Protocols	TLS1.3, SSH, IGMP, RTP, RTCP, SMTP, IPv4, IPv6, ICMP, ARP, TCP, UDP, DHCP, PPPoE, RTSP, RTMP, DNS, DDNS, NTP, FTP, UPnP, HTTP, HTTPS, 802.1x, SNMP, QoS, SSL/TLS
Compatible Integration	ONVIF (Profile S, Profile G, Profile T, Profile M), API, SDK
Security	Password Protection, Strong Password, HTTPS Encryption, Export Operation Logs, Basic and Digest Authentication for RTSP, Digest Authentication for HTTP, TLS 1.2, WSSE and Digest Authentication for ONVIF
Client	EZStation, UNV-Link, UNV-Link Pro
Web Browser	Plug-in required live view: IE 10 and above, Chrome 45 and above, Firefox 52 and above, Edge 79 and above
Interface	Description
Audio I/O	1 Input: impedance 1 k Ω , amplitude 2.5 V [p-p], 1 Output: impedance 600 Ω , amplitude 2.5 V [p-p]
Alarm I/O	1/1
Built-in Mic	Support
Built-in Speaker	Support
Network	1 x RJ45 10M/100M Base-TX Ethernet

Certification	Description
EMC	CE-EMC (EN 55032: 2015+A11: 2020+A1: 2020, EN 50130-4: 2011+A1: 2014, EN 61000-3-3: 2013+A1: 2019+A2: 2021, EN IEC 61000-3-2: 2019+A1: 2021)
Safety	CE LVD (EN 62368-1: 2020+A11: 2020) UL (UL 62368-1, 2nd Ed., Issue Date: 2014-12-01)
Environment	CE-ROHS (2011/65/EU;(EU)2015/863)
Protection	IP66 (IEC 60529:1989+AMD1:1999+AMD2:2013)
General	Description
Power	DC12V($\pm 25\%$), PoE(IEEE 802.3at)
Power Consumption	18 W
Power Interface	Ø 5.5 mm coaxial power plug
Dimensions	185 x 133 x 286mm (7.3" x 5.2" x 11.3") (L x W x H)
Weight	1.32 kg
Working Environment	-30°C ~ 60°C (-22°F ~ 140°F), Humidity: $\leq 95\%$ RH (non-condensing)
Storage Environment	-40°C ~ 70°C (-40°F ~ 158°F), Humidity: $\leq 95\%$ RH (non-condensing)
Surge Protection	2 KV
Reset Button	Support
Web Client Language	22 Languages Traditional Chinese, English, Simplified Chinese, Polish, German, Russian, French, Korean, Dutch, Czech, Portuguese (Europe), Portuguese (Brazil), Japanese, Thai, Turkish, Spanish (Latin America), Spanish (Europe), Hungarian, Italian, Vietnamese, Arabic, Slovak

Dimensions



Accessories

TR-JB07-D-IN

Bullet Junction Box(Support wiring from behind)

TR-CM06-D

Alarm Ball Machine Hoisting Bracket

TR-UC08-C

Bullet&Dome Corner Mounting Bracket



TR-A01-IN

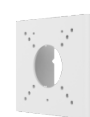
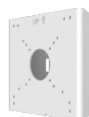
NPT 3/4" Waterproof Cable Gland

TR-UP06-C-IN

Pole Mounting Bracket for Bullet Junction Box Only

TR-UP06-B-IN

Bullet Pole Mounting Bracket



Zhejiang Uniview Technologies Co., Ltd.

No. 369, Xietong Road, Xixing Sub-district, Binjiang District, Hangzhou City, 310051, Zhejiang Province, China (Zhejiang) Pilot Free Trade Zone, China

Email: overseasbusiness@uniview.com; globalsupport@uniview.com

<http://www.uniview.com>

©2024 Zhejiang Uniview Technologies Co., Ltd. All rights reserved.

*Product specifications and availability are subject to change without notice.

*Despite our best efforts, technical or typographical errors may exist in this document. Uniview cannot be held responsible for any such errors and reserves the right to change the contents of this document without prior notice.