

Chime

ED-R1



Overview

The ED-R1 is a wireless chime mainly used with ED-525B-WB dual-lens video doorbells.

Features

- Simple installation, plug and play.
- 5-level volume adjustment, 3 ringtones available.
- Supports connection to doorbell through Sub-1 GHz.

Specifications

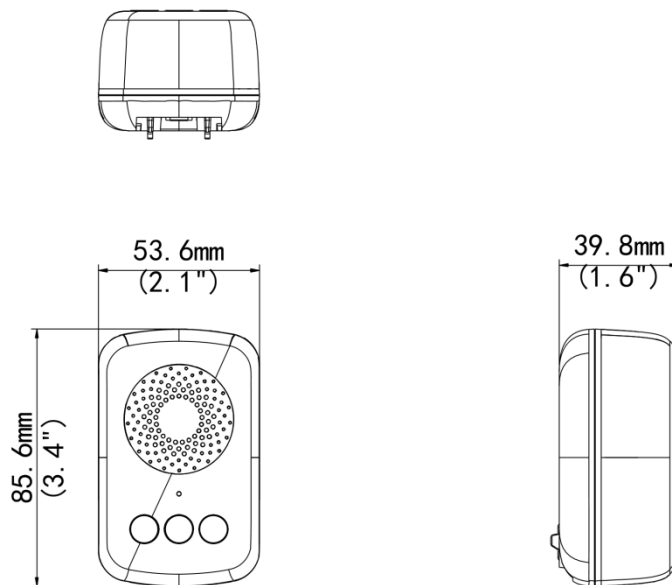
Model	ED-R1
Chime	
Connection method	Sub-1 GHz
Speaker	Built-in speaker
General	
Power source	As per definitions by different countries/regions
Installation method	Install the plug directly into the socket
Dimensions	53.6 mm × 85.6 mm × 39.8 mm

Weight	Net weight: 80g Gross weight: 125g
Power consumption	3W
Button	From left to right: volume adjustment, reset status, change ringtone
Operating temperature	-20 °C to 50 °C

Ordering Info

Product Model	Description
ED-R1	Chime

Dimensions



Zhejiang Uniview Technologies Co., Ltd.

No. 369, Xietong Road, Xixing Sub-district, Binjiang District, Hangzhou City, 310051, Zhejiang Province, China (Zhejiang) Pilot Free Trade Zone, China

Email: overseasbusiness@uniview.com; globalsupport@uniview.com

<http://www.uniview.com>

©2024-2025 Zhejiang Uniview Technologies Co., Ltd. All rights reserved.

*Product specifications and availability are subject to change without notice.

*Despite our best efforts, technical or typographical errors may exist in this document. Uniview cannot be held responsible for any such errors and reserves the right to change the contents of this document without prior notice.